

SCHEDA RICAMBI TESTATA

AIR PUMP SPARE PARTS

MODELLO TESTATA

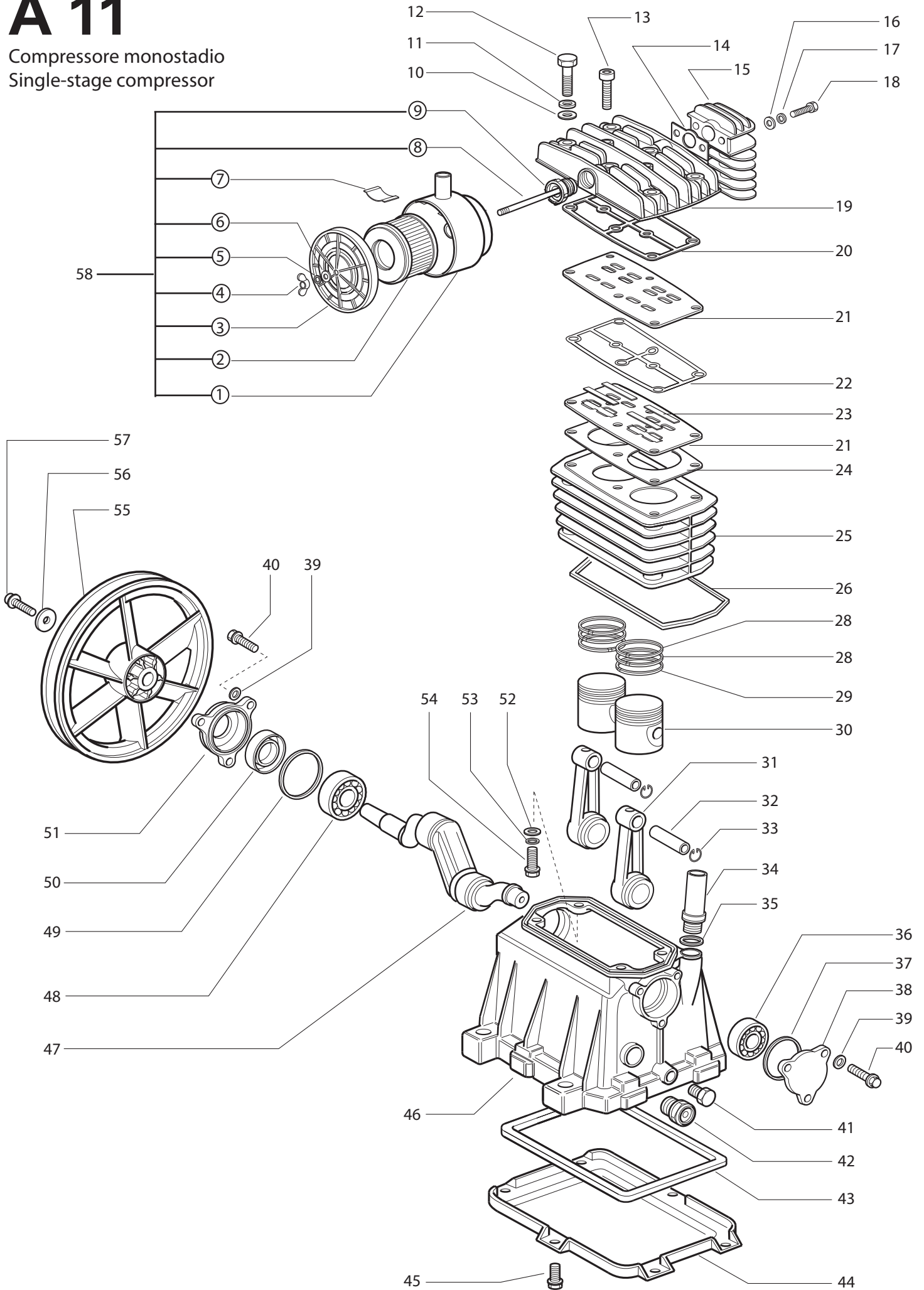
AIR PUMP TYPE:

A 11

Cod. 141601020

A 11

Compressore monostadio
Single-stage compressor



| Pos | Codice / Code | Descrizione | Description | Denomination |
|-----|-------------------------|-----------------------|--------------------------|----------------------|
| 1* | 8301001 - NOT AVAILABLE | Corpo filtro | Filter casing | Corps filtre |
| 2* | 8301002 - NOT AVAILABLE | Cartuccia filtro | Filter cartridge | Cartouche filtre |
| 3* | 8301003 - NOT AVAILABLE | Coperchio filtro | Filter cover | Couvercle filtre |
| 4* | 8301004 - NOT AVAILABLE | Dado | Nut | Erou |
| 5* | 8301005 - NOT AVAILABLE | Rondella | Washer | Rondelle |
| 6* | 8301006 - NOT AVAILABLE | Rondella | Washer | Rondelle |
| 7* | 8301007 - NOT AVAILABLE | Linguetta | Guide blade | Langnette |
| 8* | 8301008 - NOT AVAILABLE | Tirante | Tension rod | Tirant |
| 9* | 8301009 - NOT AVAILABLE | Attacco filtro | Filter connection | Connection du filtre |
| 10 | 8301010 | Rondella | Washer | Rondelle |
| 11 | 8301011 | Rondella | Washer | Rondelle |
| 12 | 8301012 | Vite | Screw | Vis |
| 13 | 8301013 | Vite | Screw | Vis |
| 14 | 8301014 | Guarnizione | Gasket | Joint |
| 15 | 8301015 | Collettore | Aftercooler | Collecteur d'echapp. |
| 16 | 8301016 | Rondella | Washer | Rondelle |
| 17 | 8301017 | Rondella | Washer | Rondelle |
| 18 | 8301018 | Vite | Screw | Vis |
| 19 | 8301019 | Testata | Cylinderhead | Culasse |
| 20 | 8301020 | Guarnizione | Gasket | Joint |
| 21 | 8301021 | Piastra valvole | Valve plate | Plaque clapets |
| 22 | 8301022 | Guarnizione | Gasket | Joint |
| 23 | 8301023 | Valvola | Valve | Clapet |
| 24 | 8301024 | Guarnizione | Gasket | Joint |
| 25 | 8301025 | Cilindro | Cylinder | Cylindre |
| 26 | 8301026 | Guarnizione | Gasket | Joint |
| 28 | 8301028 | Segmento scalino | Stepped scraper ring | Segment huileur |
| 29 | 8301029 | Segmento raschia olio | Slotted oil scraper ring | Segment racleur |
| 30 | 8301030 | Pistone | Piston | Piston |
| 31 | 8301031 | Biella | Connecting rod | Bielle |
| 32 | 8301032 | Spinotto | Piston pin | Axe du piston |
| 33 | 8301033 | Seeger | Circlip | Seeger |
| 34 | 8301034 | Tappo olio | Oil plug | Bouchon de vidage |
| 35 | 8301035 | Guarnizione | Gasket | Joint |
| 36 | 8301036 | Cuscinetto | Ball bearing | Roulement a billes |
| 37 | 8301037 | O ring | O ring | O ring |
| 38 | 8301038 | Supporto frontale | Front support | Support anterieur |
| 39 | 8301039 | Rondella | Washer | Rondelle |
| 40 | 8301040 | Vite | Screw | Vis |
| 41 | 8301041 | Vite | Screw | Vis |
| 42 | 8301042 | Livello olio | Oil sight gauge | Jauge d'huile |
| 43 | 8301043 | Guarnizione | Gasket | Joint |
| 44 | 8301044 | Flangia | Flange | Flasque |
| 45 | 8301045 | Vite | Screw | Vis |
| 46 | 8301046 | Corpo carter | Crankcase | Monobloc |
| 47 | 8301047 | Albero | Crankshaft | Vilebrequin |
| 48 | 8301048 | Cuscinetto | Ball bearing | Roulement a billes |
| 49 | 8301049 | O ring | O ring | O ring |
| 50 | 8301050 | Corteco | Bi-angular seal ring | Joint |
| 51 | 8301051 | Supporto posteriore | Rear support | Support posterieur |
| 52 | 8301052 | Rondella | Washer | Rondelle |
| 53 | 8301053 | Rondella | Washer | Rondelle |
| 54 | 8301054 | Vite | Screw | Vis |
| 55 | 8301055 | Volano | Flywheel | Poulie |
| 56 | 8301056 | Rondella | Washer | Rondelle |
| 57 | 8301057 | Vite | Screw | Vis |
| 58 | 8301058 | Filtro Completo | Complete air filter | Filtre |

A 11 (Dati tecnici / Technical data)

Modello / Model / Modèle A 11

| | | |
|---|-----------------|---------------------|
| Cilindrata Swept volume Cylindrée | cm ³ | 175 |
| Motore Motor Moteur | Hp. | 1,5 ÷ 2 |
| Aria Aspirata Displacement Air aspiré | l/min c.f.m. | 211 7,45 |
| Aria Resa Air Delivered Air débité | l/min c.f.m. | 148 5,23 |
| Giri/min. Rpm tr/min | | 1200 |
| Cilindri Cylinders Cylindres | | 2 |
| Pistone Piston Piston | Ømm | 55 |
| Corsa Stroke Course | mm | 37 |
| Pressione max. Max pressure Pression maxi | Bar psi | 8 ÷ 10 116 ÷ 145 |
| Volano Flywheel Volant | mm | 265 |

Dimensioni / Dimensions

| | | |
|-------------------------|----|-----|
| A | mm | 122 |
| B | mm | 92 |
| C | mm | 160 |
| D | mm | 256 |
| E | mm | 265 |
| F | mm | 295 |
| H | mm | 273 |
| Peso Weight Poids | mm | 9,5 |

